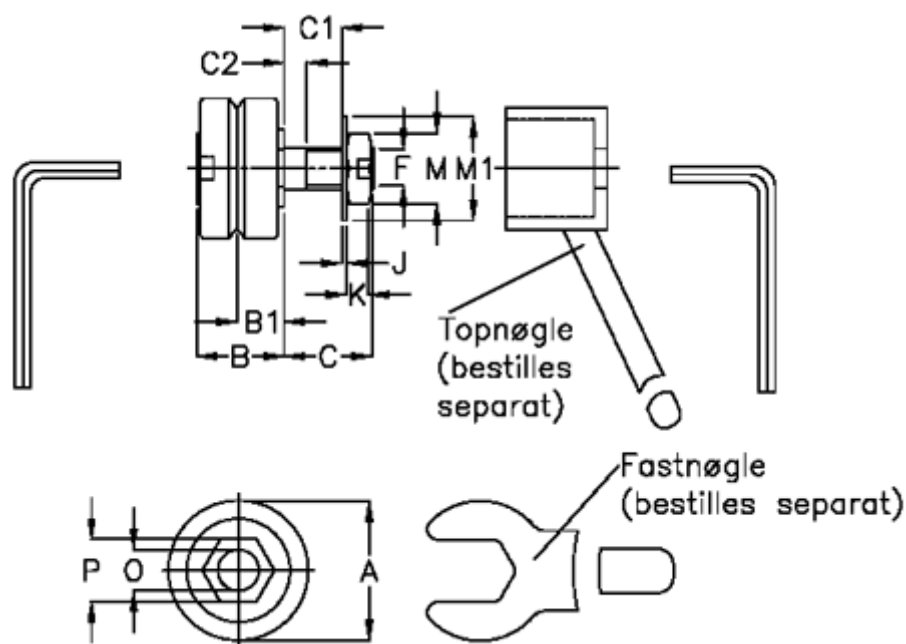


Article number: 057153201303

Description: HEPCO GV3 bearing LJ 13 CNS  
Standard With Long Stud

## Measures



a = 12.7

B = 10.1

B1 = 5.47

C = 9.5

C1 = 6.7

C2 = 2.4

F = M4 x 0,5

J = 0.80

K = 2.2

M = 7

M1 = 9

O = 4

P = 7

Weight kg/1000 = 0.008